

# ALFA43XMFHDS

<b>Family</b>	Professional ovens
<b>Subfamily</b>	Multifunction oven 4 trays 435x320 mm
<b>Oven type</b>	Multifunction convection oven with humidifier
<b>Oven control</b>	Manual
<b>Trays capacity</b>	4 trays 435x320 mm
<b>Power supply</b>	230 V~ / 13 A / 3,0 kW / 50 Hz
<b>Program storage with application</b>	Not available
<b>Maximum depth with open door</b>	993 mm
<b>Adjustable feet</b>	Yes
<b>Net weight</b>	36,400 kg
<b>Product dimensions WxDxH</b>	602x580x537 mm



## Target

<b>Solutions</b>	Coffee shops/Wine bars; Hotels; Restaurants/Pubs; Bakery/Pastry making; Frozen bakery industry; Food retail
------------------	---

## Aesthetics

<b>Colour</b>	Stainless steel	<b>Front panel Logo</b>	Yes Smeg printed
<b>Door with stainless steel stripes</b>	Yes		

## Controls

<b>Timer setting range</b>	1-60 minutes + endless
----------------------------	------------------------

## Programme / Functions

### Backing functions



Convection



Convection with humidification



Up & base

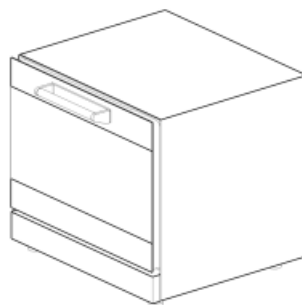
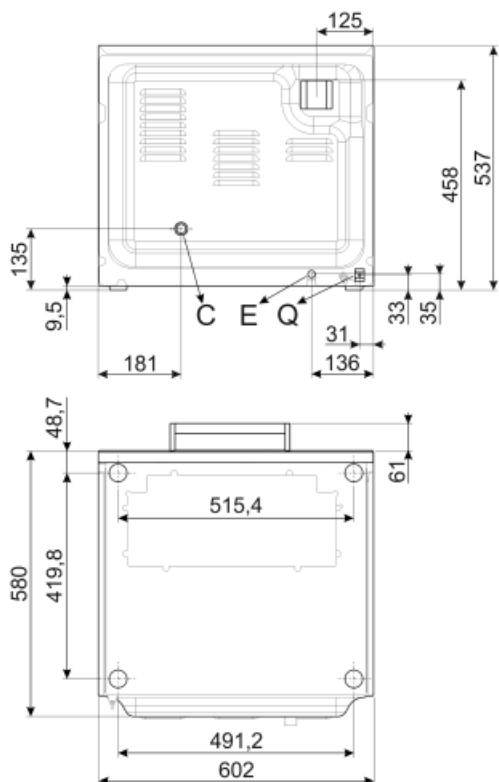


Fan assisted base



Large grill





Q	MORSETTO EQUIPOTENZIALE EARTH TERMINAL
E	CAVO ALIMENTAZIONE ELETTRICA ELECTRICITY SUPPLY CABLE
C	TUBO DI CARICO (solo su alcuni modelli) FILLER HOSE (on some models only)

## Not included accessories

---



**3820**

Flat aluminised steel tray (4pcs)

## Symbols glossary (TT)

---



Fan with lower element



Fan forced heating



Fan forced heating with humidity injection



Large grill heating element



Static heating with upper and lower elements



Double speed fan