

ALFA43X

Family	Professional ovens
Subfamily	Convection oven 4 trays 435x320 mm
Oven type	Convection oven
Oven control	Manual
Trays capacity	4 trays 435x320 mm
Power supply	230 V~ / 13 A / 3,0 kW / 50 Hz
Maximum depth with open door	993 mm
Adjustable feet	Yes
Net weight	32,800 kg
Product dimensions WxDxH	602x580x537 mm



Target

Solutions	Coffee shops/Wine bars; Hotels; Restaurants/Pubs; Bakery/Pastry making; Frozen bakery industry; Food retail; QSR
-----------	--

Aesthetics

Colour	Stainless steel	Front panel	Yes
Door with stainless steel stripes	Yes	Logo	Smeg printed

Controls

Timer setting range	1-60 minutes + endless
---------------------	------------------------

Programme / Functions

Backing functions



Convection

Options

Combinable hood	K43X
-----------------	------

Other versions ALFA43UK with UK plug;
ALFA43K - 60Hz version;
ALFA43KSA - 60Hz with
UK plug

Accessories Included

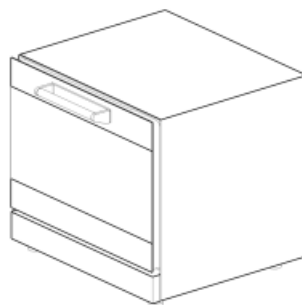
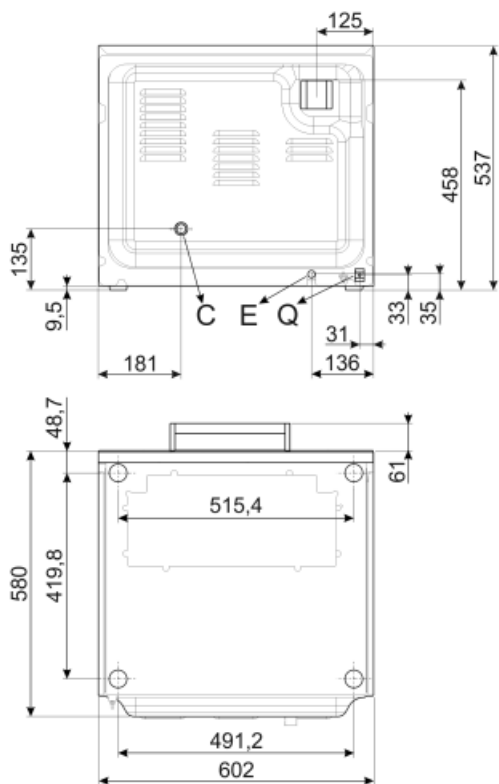
Aluminized tray 3820 kit of 4 pieces

Electrical Connection

Plug (F;E) Schuko

Construction

Oven materials	Stainless steel / glass / plastics	Motor rpm in standard speed	2700 rpm
Cavity dimensions (wxdxh)	460x360x425 mm	Exhaust position	Back
Internal net volume	54,5 lt	Timer type	Electric
Cavity material	Ever Clean enamel	Temperature range	50-250°C
Shelves number	4	End cooking signal	Yes
Tray frame support	Chromed wire	Orange light indicator t° achievement	Yes
Shelves distance	80 mm	Green light indicator time achievement	Yes
Door construction	Double glass	Manual reset safety thermostat	Yes
Door opening	Tilting	Removable deflector	Yes
Handle type	Fixed	Lighting	1 Halogen lamp
Glass	With clip	Light power	40 W
Fan type and number	Fan with fixed rotation	Power cable length	115 cm
Fan motor power	Dual speed	Back panel	Galvanized
Engine rpm	Single speed	IPX protection	IPX3

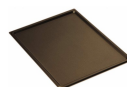


Q	MORSETTO EQUIPOTENZIALE EARTH TERMINAL
E	CAVO ALIMENTAZIONE ELETTRICA ELECTRICITY SUPPLY CABLE
C	TUBO DI CARICO (solo su alcuni modelli) FILLER HOSE (on some models only)

Not included accessories



4730
External tank kit 5 lt.



3780
Flat non-stick trays (4pcs)



3755
Flat perforated aluminium tray (4pcs)



3926
Air flow reducer kit for ALFA43 ovens

Symbols glossary (TT)



Fan forced heating